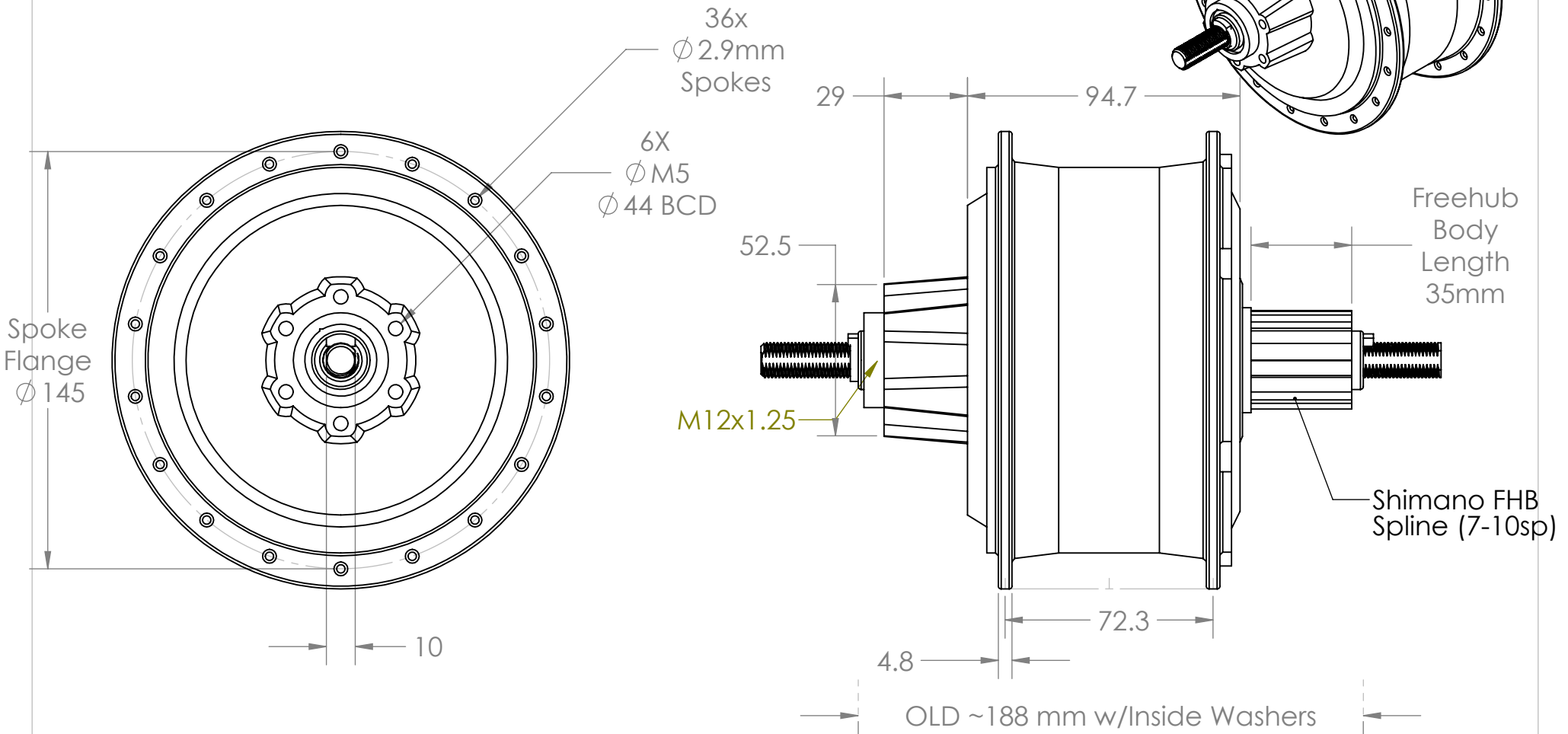


Gear Ratio: 5:1
 Magnetic Pole Pairs: 10 (50 effective)
 6 speed pulses/revolution
 Connector: Higo Z910
 Axle End Cable Exit (Freehub Side)
 Wire Length 220mm



PART NO:
Bafang G60_190

REVISION:
0

DRAWN: Justin L-E
 DATE: 26/12/2019

MATERIAL:
 WEIGHT:

DESCRIPTION:
Fatbike Hub for 180-190mm Dropouts

UNLESS OTHERWISE SPECIFIED:
 DIMENSIONS IN MM
 TOLERANCES ± 1
 TWO PLACE DECIMAL \pm

SURFACE FINISH:
 SCALE:

1:2



PROPRIETARY AND CONFIDENTIAL
 THE INFORMATION CONTAINED IN THIS
 DRAWING IS THE SOLE PROPERTY OF
 GRIN TECHNOLOGIES. ANY
 REPRODUCTION IN PART OR AS A WHOLE
 WITHOUT THE WRITTEN PERMISSION OF
 GRIN TECHNOLOGIES IS
 PROHIBITED.